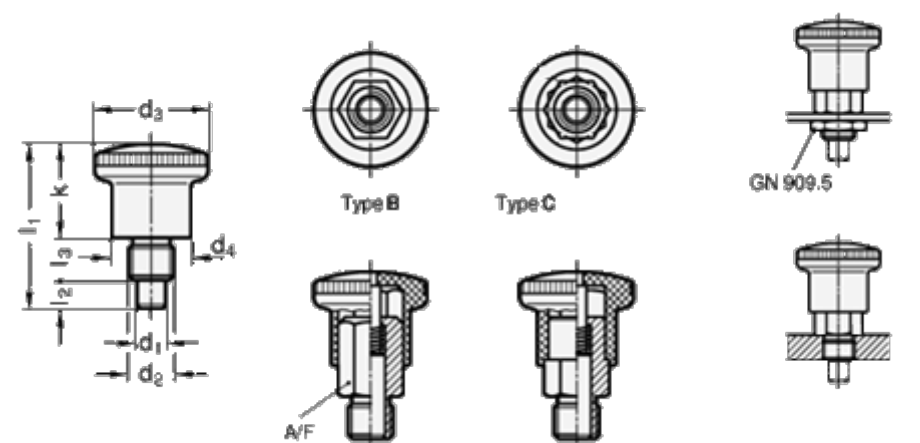


Article number: 20822710M16B

Description: E+G Mini indexing plunger  
without rest position, GN 822.6-10-M16-B

## Measures



d1 = 10  
d2 = M16  
d3 = 33  
d4 = 23  
k = 25.5  
l1 = 47.5  
l2 = 10  
l3 = 12

Spring load initial N = 11